

CUSTOM FIT SPEAKER

KFC-HQR106C

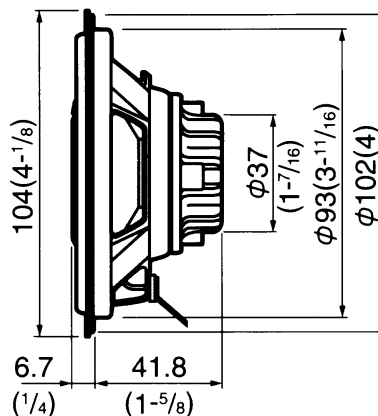
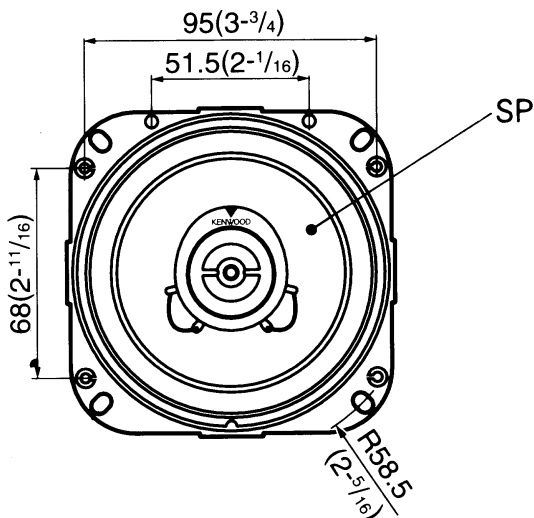
SERVICE MANUAL

KENWOOD

OVERSEAS

©1996-12 PRINTED IN JAPAN
B51-7117-00 (MC) 919

EXTERNAL VIEW



Unit: mm(inch)

PARTS LIST

★ New Parts

Parts without **Parts No.** are not supplied.

Les articles non mentionnés dans le **Parts No.** ne sont pas fournis.

Teile ohne **Parts No.** werden nicht geliefert.

Ref No.	New Parts	Parts No.	Description
①		E30-5293-08	Speaker cord
②	★	J19-4028-08	Gasket
③ - ⑪		N99-1257-08	Screw set
SP	★	T15-0346-08	Speaker

PARTS INCLUDED

- ① 3m(10ft).....×2
- ②×2
- ③×8
- ④ M4×8
- ⑤ M4×12×8
- ⑥ φ6×14.....×8
- ⑦ φ5×20.....×8
- ⑧ φ4×20×8
- ⑨ φ4×16.....×8
- ⑩ φ4×12×8
- ⑪ φ4×6.....×2

SPECIFICATIONS

Speakers

Woofer 100 mm (4 in) Pearl Mica Cone Type
8×2 g (0.29×2 oz) Magnet

Tweeter 25 mm (1 in) P.P.T.A. Balanced Dome Type

Peak Power 80 Watts

Frequency Response ... 45 Hz ~30,000 Hz

Sensitivity 89 dB / W at 1 m

Impedance 4 Ohms

Net Weight 290 g (0.6 lb) / Pair

Note:

We follows a policy of continuous advancements in development.
For this reason specifications may be changed without notice.